

# Antenna, Whip Hinge

ERF4031

## Description

The ERF4031 antenna is an external 2,4 GHz antenna with a RP-SMA male connector. The antenna can also be used in the frequency band of 800 ~ 900 / 1800 / 1900 / 2100 MHz. The antenna can be used for applications such as, GSM , M2M, Wi-Fi, BLE, Zigbee and more.



## Technology

- LTE-M
- Cat-M
- LoRa
- NB-IoT
- ISM
- GSM
- WiFi
- Bluetooth
- Zigbee

## Features

### Electrical Properties

### Description

Frequency marker	Frequency band MHz	Return loss dB	V.S.W.R.
1	800	-5.5	< 3.3
2	868	-5.6	< 3.2
3	900	-5.3	< 3.4
4	915	-5.2	< 3.4
5	1.800	-9.7	< 2.0
6	1.900	-6.1	< 3.0
7	2.100	-8.9	< 2.1
8	2.400	-7.8	< 2.4
9	2.600	-10.7	< 1.8

# Antenna, Whip Hinge

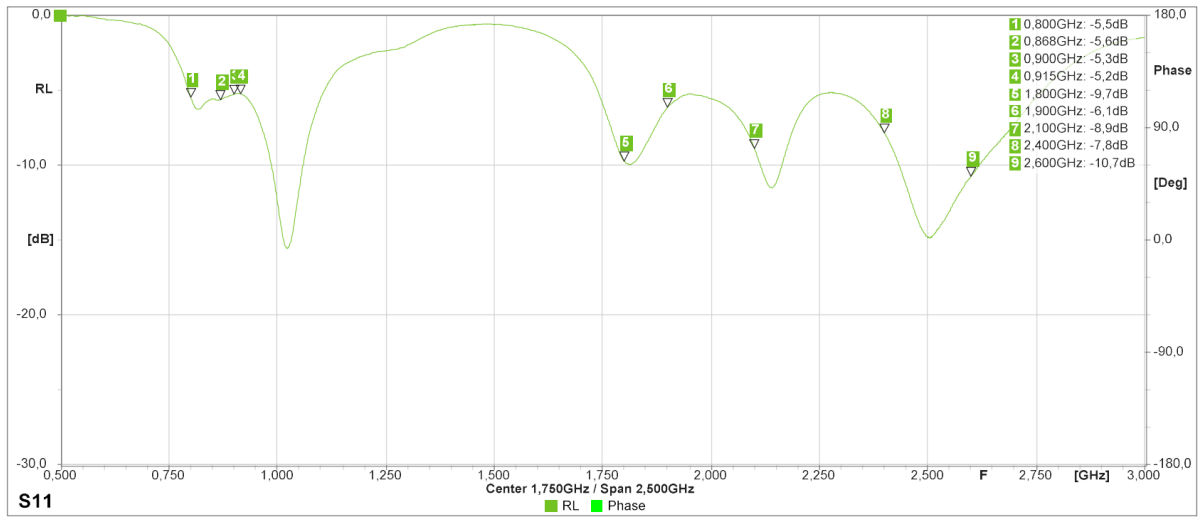
ERF4031

<b>Nominal Impedance:</b>	50 $\Omega$
<b>Polarization:</b>	Vertical

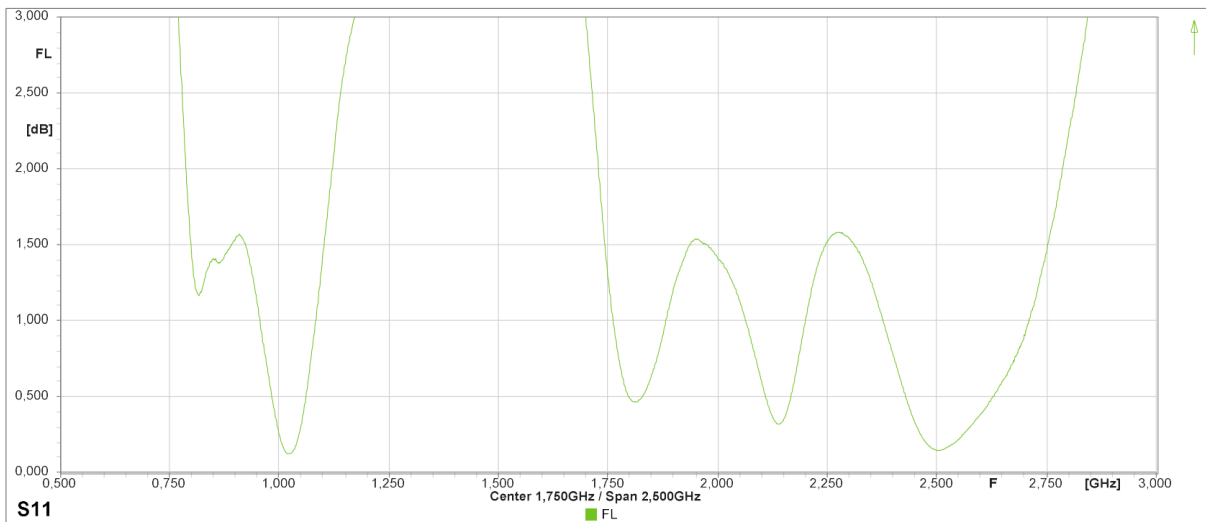
<b>Mechanical Properties</b>	<b>Description</b>
<b>Antenna</b>	External Whip Antenna
<b>Mounting</b>	Terminal screw connector
<b>Connector</b>	SMA male (RP)
<b>Dimensions</b>	104 mm $\pm$ 2
<b>Color</b>	Black
<b>Operating Temperature</b>	-30°C~+70°C
<b>Storage Temperature</b>	-30°C~+70°C

## Antenna Properties

### Return Loss



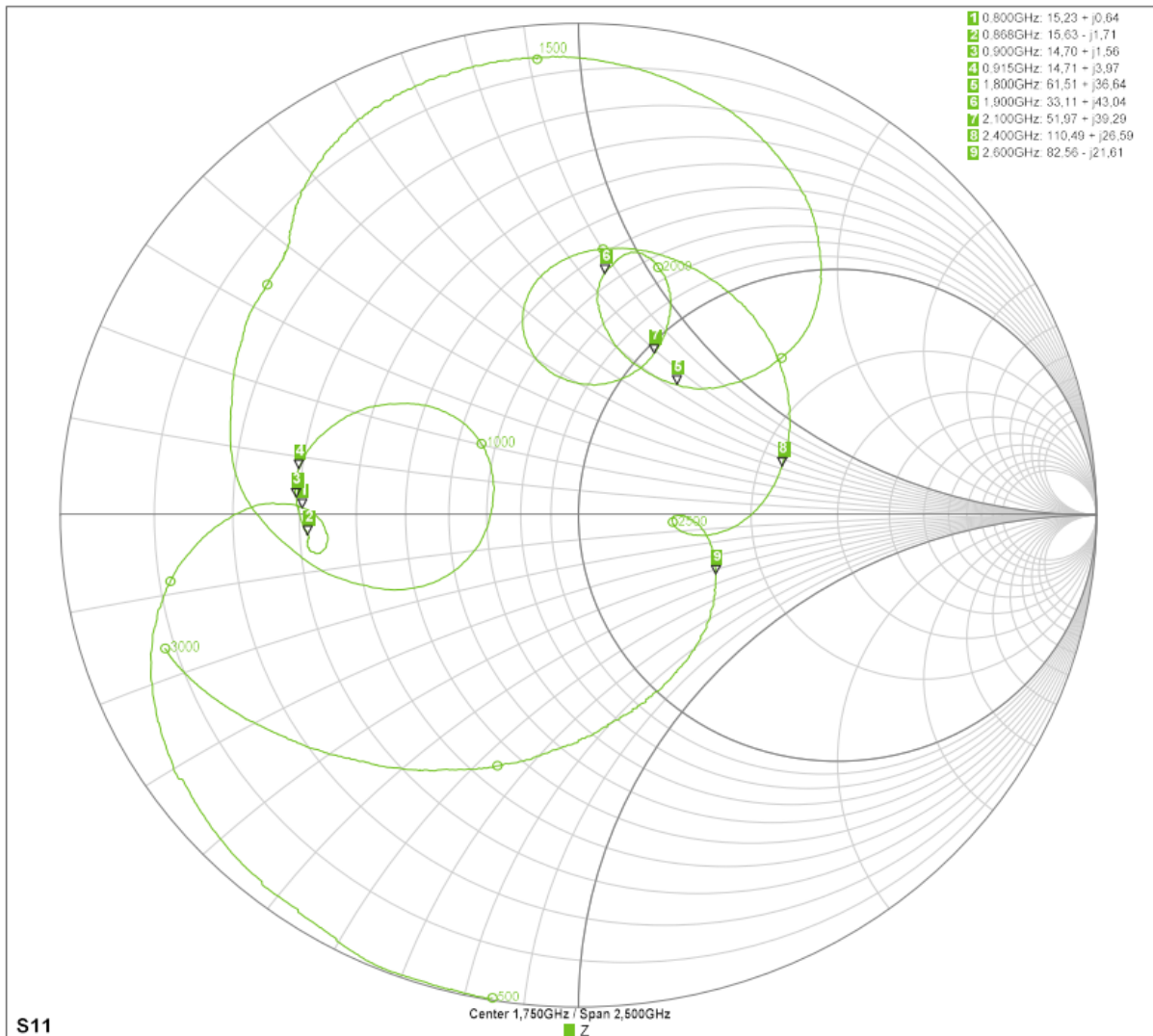
### Forward Loss



# Antenna, Whip Hinge

ERF4031

Impedance

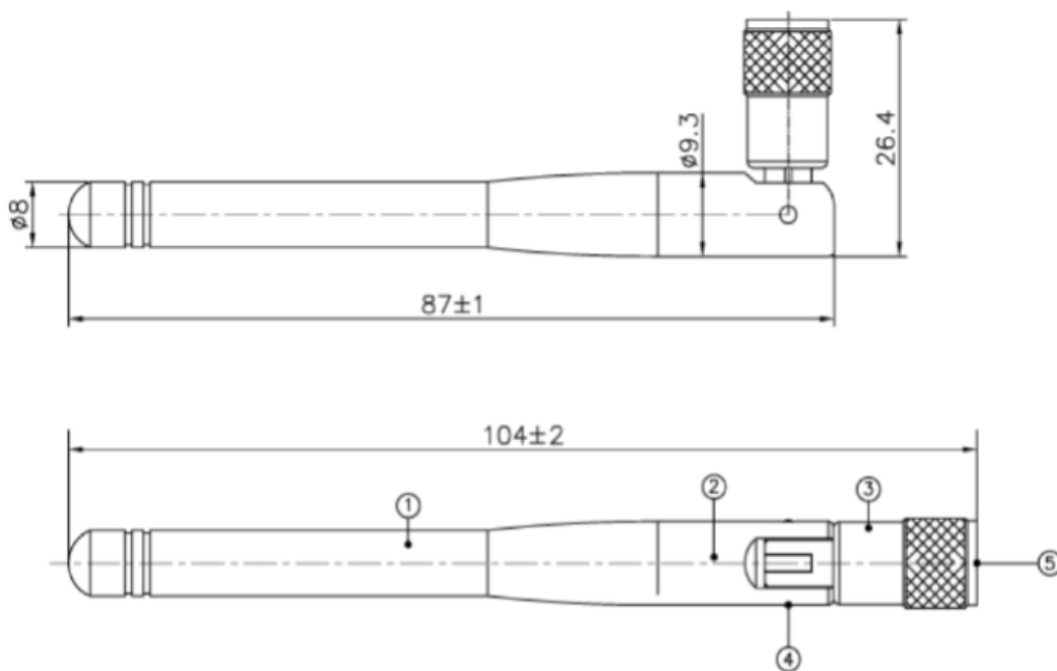


# Antenna, Whip Hinge

## ERF4031

### Dimensions

\*Unit: mm



### Connector



**SMA Male**



**SMA Female**



**RP-SMA Male**



**RP-SMA Female**

The ERF4031 uses a RP-SMA male connector.

# Antenna, Whip Hinge

ERF4031



---

## Ordering information

Ordering can be done via [www.summit-electronics.com](http://www.summit-electronics.com) or via [info@summit-electronics.com](mailto:info@summit-electronics.com). Please contact us for more information. Customisation of the product is available on request.

## Technical support

For all product questions please contact us via [info@summit-electronics.com](mailto:info@summit-electronics.com)

## Document revision

Rev	Date	changes
V01.00	06-04-2023	First issue of document